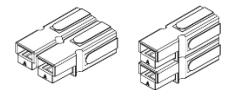


Connection Housing for 2 CONTACTS with guiding APCH-2MC07



HOUSING for 2 CONTACTS

With high mechanical strength and cable strain relief.



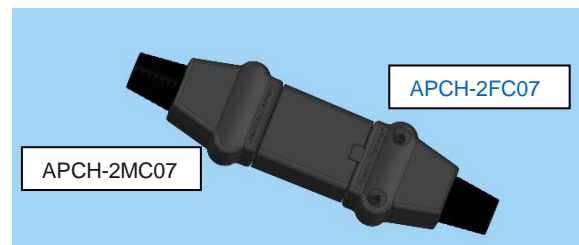
Suitable for 2 pcs. Powerpole® connectors PP 15/30/45 and for different configurations:

Ideal for cable mounting

Contents: 2 plastic shells, 2 fixing screws and 1 Cable gland grommet, without Powerpole® connector, unassembled.

Materials: PC / ABS (polycarbonate / acrylonitrile butadiene styrene) is a blend of PC and ABS, combined with great mechanical properties of PC such as impact resistance and heat resistance. Compliant with RoHS

- High impact strength at low temperatures
- Heat resistance
- High strength
- Low shrinkage and high dimensional stability



Physical

Shell:

Material: PC / ABS (polycarbonate / acrylonitrile butadiene styrene)
Flammability: UL 94V-0
Colour: Dark Grey

Cable gland: Rubber

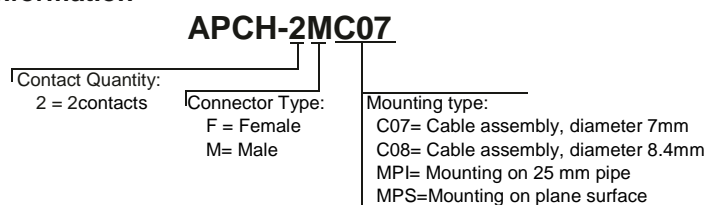
Screw: (2) M2.5-10 Screws with countersunk Steel hardness with galvanic coatings

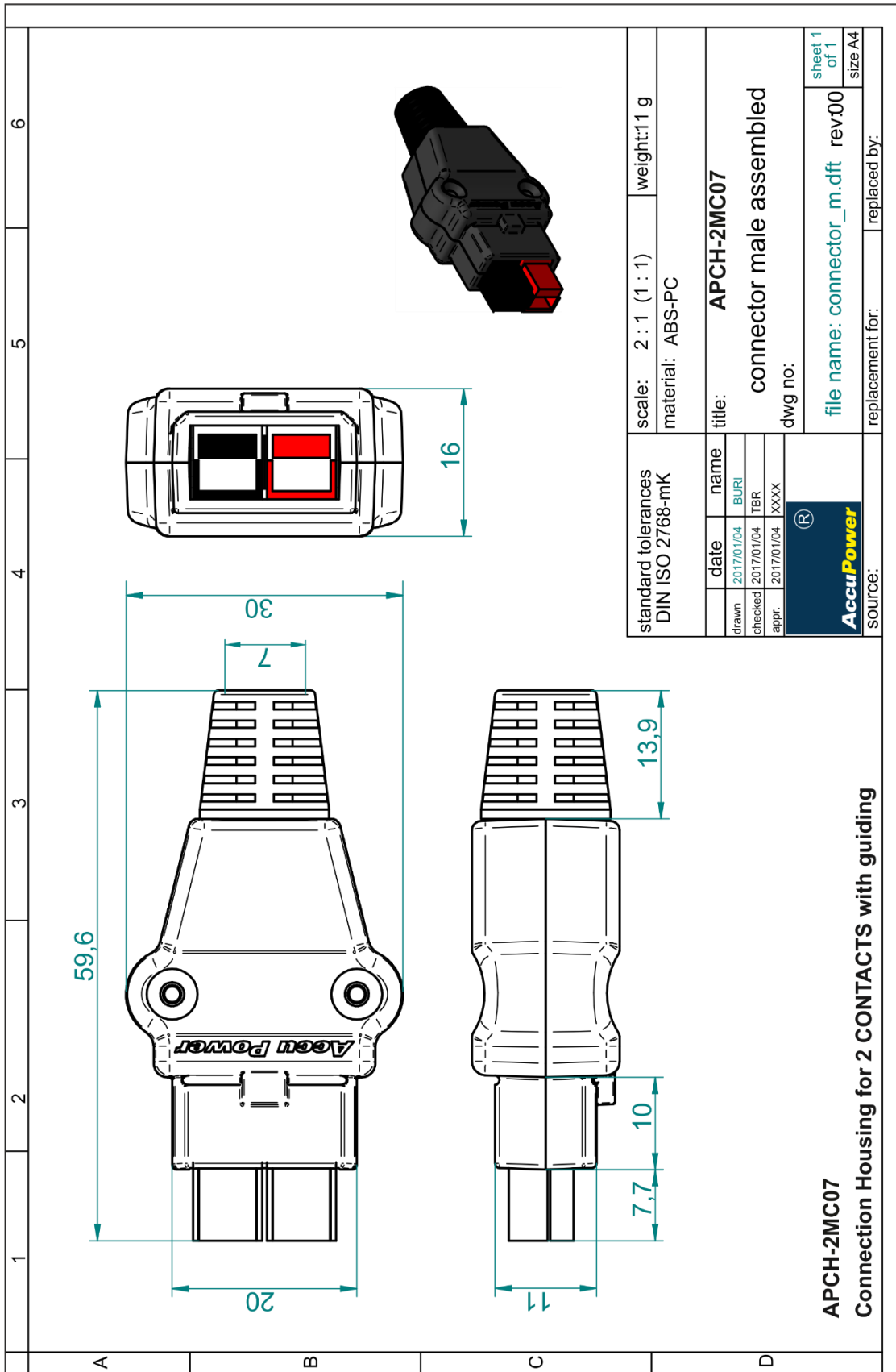


Environmental

Temperature Rating: -25°C to +85°C

Ordering Information





1	2	3	4	5	6								
A					B								
C					D								
<p>APCH-2MC07 Connection Housing for 2 CONTACTS with guiding</p>													
<p>APCH-2MC07 Explanation of assembly</p>													
standard tolerances DIN ISO 2768-mK		scale: 2 : 1 (1 : 1)		weight: 11 g									
<table border="1" style="width: 100%; border-collapse: collapse;"> <tr> <th>date</th> <th>name</th> </tr> <tr> <td>2017/01/04</td> <td>BLURJ</td> </tr> <tr> <td>2017/01/04</td> <td>TBR</td> </tr> <tr> <td>2017/01/04</td> <td>JXXX</td> </tr> </table>		date	name	2017/01/04	BLURJ	2017/01/04	TBR	2017/01/04	JXXX	material: ABS-PC		title: APCH-2MC07	
date	name												
2017/01/04	BLURJ												
2017/01/04	TBR												
2017/01/04	JXXX												
		dwg no:		file name: connector_m.dft rev00									
SOURCE:		replaced for:		sheet 1 of 1 size A4									